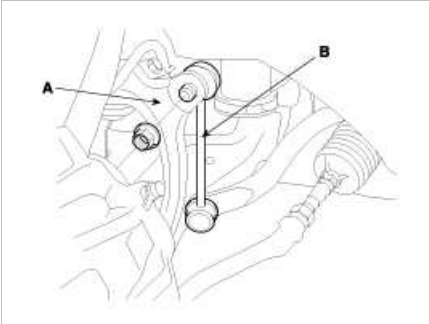


1. Loosen the wheel nuts slightly.
Raise the front of the vehicle, and make sure it is securely supported.
2. Remove the front wheel and tire from front hub.

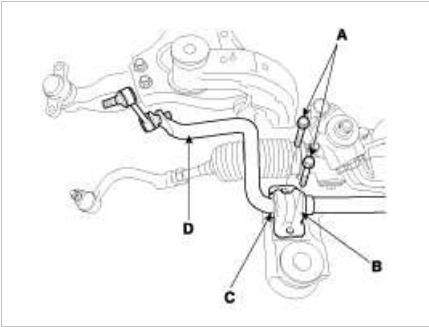
CAUTION

Be careful not to damage the hub bolts when removing the front wheel and tire.

3. Remove the stabilizer link(B) from the fork(A).



4. Remove the two mounting bolts of the rear side of the subframe, supporting the subframe with a jack.
5. Remove the rear mounting bolts(A) of subframe.



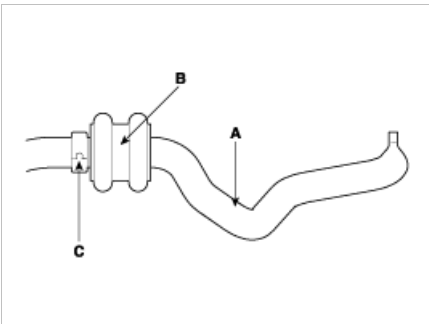
6. Remove the stabilizer bracket(B) and bushing(C).
7. Remove the stabilizer bar(D).

CAUTION

Be careful not to damage the pressure tube.

INSTALLATION

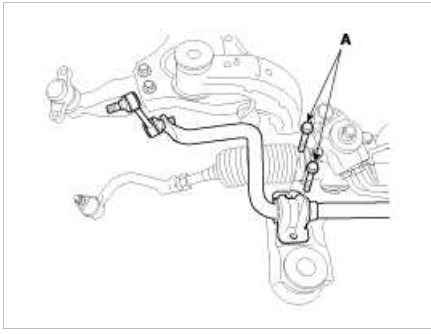
1. Install the bushing(B) on the stabilizer bar(A).

**NOTE**

Bring clamp(C) of stabilizer bar(A) into contact with bushing(B).

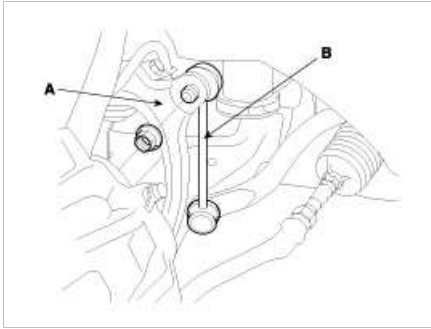
2. Install the bracket on the bushing(B).
3. After tightening the bolts of the bushing bracket temporarily, install the bushing bracket on the opposite side.
4. Install the rear stabilizer bar mounting bolts(A) to the subframe.

Tightening torque Nm (kgf-m, lb-ft) :
45 ~ 55 (4.5 ~ 5.5, 32.5 ~ 39.8)



5. Install the stabilizer link(B) to the fork(A).

Tightening torque Nm (kgf-m, lb-ft) :
100 ~ 120 (10 ~ 12, 72.3 ~ 86.8)



6. Install the wheel and the tire to the front hub.

Tightening torque Nm (kgf-m, lb-ft) :
90 ~ 110 (9 ~ 11, 65.1 ~ 79.5)

CAUTION

Be careful not to damage the hub bolts when installing the front wheel and tire.

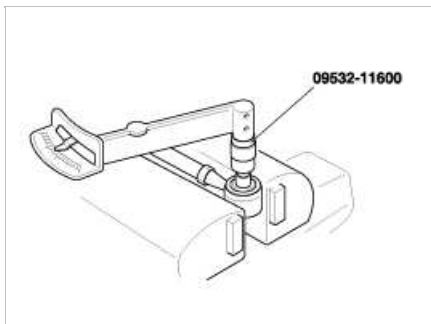
INSPECTION

1. Check the bushing for wear and deterioration.
2. Check the stabilizer bar for bending or breakage.
3. Check the ball joint for rotating torque.
 - (1) If there is a crack in the dust cover, replace it and add grease.
 - (2) Shake the stabilizer link ball joint stud several times.
 - (3) Mount the self-locking nut on the ball joint, and then measure the ball joint rotating torque.

Standard value :
0.7 ~ 2 Nm (7 ~ 20 kgf-cm, 0.51 ~ 1.45 lb-ft)

NOTE

Measure torque using the special tool(09532-11600) and torque wrench at the range of 0.5 - 2 rpm after moving the ball joint stud at degree 3° several times at room temperature.



- (4) If the rotating torque exceeds the upper limit of standard value, replace the upper arm assembly.
- (5) Even if the rotating torque is below the lower limit of the standard value, the ball joint may be reused unless it has drag and excessive play.